

Europäisches Patentamt
 European Patent Office
 Office européen des brevets



(11) EP 0 990 434 A2

(12) EUROPEAN PATENT APPLICATION

(43) Date of publication: 05.04.2000 Bulletin 2000/14
 (51) Int Cl.7: A61F 13/15

(21) Application number: 99307795.7

(22) Date of filing: 04.10.1999

(84) Designated Contracting States:
 AT BE CH CY DE DK ES FI FR GB GR IE IT LI LU
 MC NL PT SE
 Designated Extension States:
 AL LT LV MK RO SI

(30) Priority: 02.10.1998 JP 28170398

(71) Applicant: UNI-CHARM CORPORATION
 Kawano-shi Ehime-ken (JP)

(72) Inventors:
 • Jitoe, Yoshikazu, Technical Center
 Mitoyo-gun, Kanagawa-ken 769-1602 (JP)
 • Shimoe, Nariaki, Technical Center
 Mitoyo-gun, Kanagawa-ken 769-1602 (JP)
 • Kumasaka, Yoshinori, Technical Center
 Mitoyo-gun, Kanagawa-ken 769-1602 (JP)

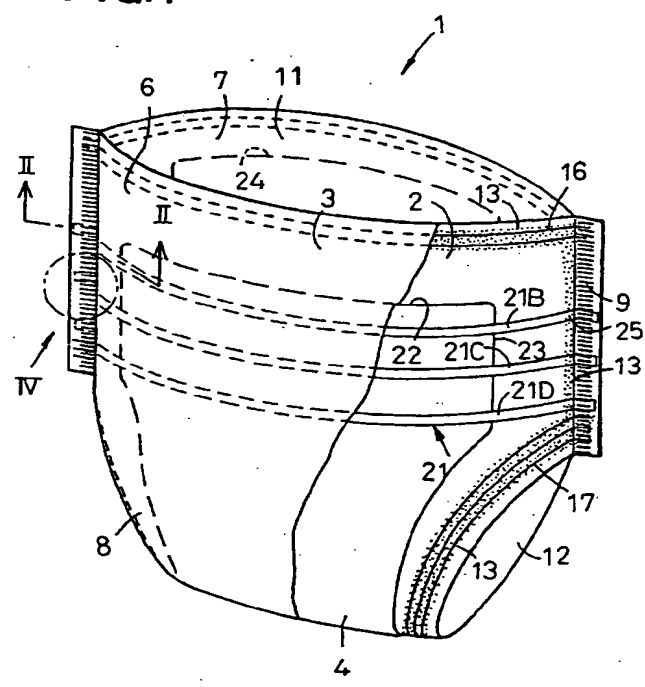
(74) Representative: Parry, Christopher Stephen
 Saunders & Dolleymore,
 9 Rickmansworth Road
 Watford, Herts. WD1 7HE (GB)

(54) Disposable pull-on-diaper

(57) A disposable pull-on diaper 1 includes a top-sheet 2, a backsheet 3 and an absorbent core 4 disposed therebetween. In any one of front and rear waist regions 6, 7 of the diaper 1, second elastic members 21

are disposed between the core 4 and the backsheet 3 to extend under tension circumferentially of the waist region and secured to the inner surface of the backsheet 3 only at their portions extending outward beyond transversely opposite side edges 23, 23.

FIG. 1



EP 0 990 434 A2

Description

[0001] The present invention relates to a disposable pull-on diaper for absorption and containment of bodily wastes.

[0002] Japanese Patent Application Disclosure Gazette (Kokai) No. Hei7-236650 discloses a disposable pull-on diaper including elastic members extending circumferentially of front and rear waist regions. Portions of these elastic members extending across a liquid-absorbent core of the diaper has an elongation less than 1.3 (i.e., substantially without any tension) and are secured to a backsheet of the diaper. Portions of the elastic members extending outward beyond transversely opposite side edges of the absorbent core has an elongation of 1.3 or higher and are secured also to the backsheet.

[0003] Japanese Patent Publication Gazette (Kokoku) No. Hei7-44945 discloses a disposable pull-on diaper including a plurality of elastic members extending circumferentially of front and rear waist regions across a liquid-absorbent core of the diaper so as to form a plurality of gathers in a zone overlying the absorbent core.

[0004] Japanese Patent Application Disclosure Gazette (Kokai) No. Hei9-84826 discloses a disposable pull-on diaper including a plurality of thread-like elastic members extending circumferentially of front and rear waist regions arranged so that these elastic members may be placed upon longitudinally opposite ends of a liquid-absorbent core of the diaper from outside the absorbent core.

[0005] The invention disclosed in the Japanese Patent Application Disclosure Gazette (Kokai) No. Hei7-236650 claims an advantageous effect such that the portions of the elastic members extending across the absorbent core may be put substantially free from a tension to prevent the absorbent core from being wrinkles or position-shifted as the elastic members contract. However, the portions extending across the absorbent core can not function to press the absorbent core against the wearer's body as they contract, since the portions are joined to the backsheet substantially without any tension. Accordingly, it is difficult for the diaper to assure a significant leakage preventing effect by a good fitting of the absorbent core to the wearer's body. Moreover, the invention is accompanied with a problem that the manufacturing process should include complicated steps of placing the elastic members partially in a tensioned state and partially in a non-tensioned state.

[0006] The invention disclosed in the Japanese Patent Publication Gazette (Kokoku) No. Hei7-44945 certainly describes an effect to place the liquid-absorbent core against the wearer's body with a good fitting but does not disclose how to arrange these elastic members in the front and rear waist regions. Even if this problem is put aside, formation of gathers in the zone overlying the liquid-absorbent core not only may deteriorate a smooth touch of the diaper but also may form similar

gathers on the absorbent core also. These gathers formed on the absorbent core may deteriorate its fitting to the wearer's body and prevent body fluids from being rapidly absorbed.

5 [0007] The invention disclosed in the Japanese Patent Application Disclosure Gazette (Kokai) No. Hei9-84826 is certainly effective to restrain the longitudinally opposite ends of the absorbent core from being curved away from the wearer's body. However, in order
10 to widen a range over which the foresaid effect is obtained, the number of these elastic members must be correspondingly increased and properly arranged in the vicinity of the ends of the absorbent core. In consequence, the manufacturing process must be correspondingly complicated.

15 [0008] It is an object of the present invention to provide a disposable pull-on diaper improved to solve the foresaid various problems.

20 [0009] According to the present invention, there is provided a disposable pull-on diaper having a front waist region, a rear waist region and a crotch region therebetween, the diaper comprising a liquid-pervious topsheet, a liquid-impervious backsheet and a liquid-absorbent core disposed between the topsheet and the backsheet,
25 the front and rear waist regions being joined to each other along transversely opposite side edges thereof so as to form a waist-opening and a pair of leg-openings, the waist-opening being provided with a plurality of first elastic members and the leg-openings also being provided with elastic members, respectively, the elastic members extending under tension along peripheral edges of the waist-opening and leg-openings, wherein
30 a plurality of second elastic members extend across the absorbent core at least in one of the front and rear waist regions between transversely opposite side edges of the waist region.

35 [0010] In the disposable pull-on diaper, the present invention is characterized by that the plurality of second elastic members are such that any one of them presents
40 a stretch stress lower than a stretch stress presented by any one of the first elastic members and extend across the absorbent core on an outer surface thereof with portions of the second elastic members which extend outward beyond the transversely opposite side edges of the absorbent core being secured to the backsheet and other
45 portions thereof which extend between the transversely opposite side edges of the absorbent core being secured neither to the backsheet nor to the absorbent core.

50 [0011] Preferred but non-limiting embodiments of the present invention are enumerated hereunder.

(1) The second elastic members are secured to the backsheet only in the vicinity of zones in which the front and rear waist regions are joined to each other along their respective side edges.

(2) The backsheet is made of a thermoplastic synthetic resin film and the second elastic members are

secured to the inner surface of the film.

(3) The backsheet comprises a thermoplastic synthetic resin film and a nonwoven fabric bonded to the outer surface of the film so that the second elastic members may be disposed between the film and the nonwoven fabric and secured to the outer surface of the film or the inner surface of the nonwoven fabric.

(4) The inner surface of the backsheet is joined to the outer surface of the absorbent core.

(5) The second elastic members are provided in the form of ribbons each having a width of 3 ~ 20 mm.

(6) The absorbent core has front and rear ends lying in the front and rear waist regions, respectively, and the second elastic members cover at least one of the front and rear ends inclusive of its vicinity in a direct or indirect manner.

(7) The absorbent core has a Gurley Stiffness Value of 0.5 ~ 2 g and the second elastic members present a total stretch stress of 100 ~ 230 gf.

(8) The crotch region is provided with a third elastic member extending under tension across the absorbent core in parallel to the second elastic members.

Fig. 1 is a perspective view showing a partly cutaway disposable pull-on diaper according to one embodiment of the present invention;

Fig. 2 is a sectional view taken along a line II-II in Fig. 1;

Fig. 3 is a view similar to Fig. 2 showing another embodiment of the present invention;

Fig. 4 is a diagram showing, in an enlarged scale, a part of Fig. 1;

Fig. 5 is a view similar to Fig. 1 showing still another embodiment of this invention; and

Fig. 6 is a sectional view taken along a line VI-VI in Fig. 5.

[0012] Details of a disposable pull-on diaper according to the present invention will be more fully understood from the description given hereunder with reference to the accompanying drawings.

[0013] A partly cutaway disposable pull-on diaper 1 shown by Fig. 1 in a perspective view comprises a liquid-pervious topsheet 2 formed by a nonwoven fabric of thermoplastic synthetic fibers, a liquid-impervious backsheets 3 formed by a thermoplastic synthetic resin film and a liquid-absorbent core 4 disposed between these two sheets 2, 3. The diaper 1 has a front waist region 6, a rear waist region 7 and a crotch region 8 extending between these two waist regions 6, 7. The front and rear waist regions 6, 7 are put flat one upon another and joined together along their respective side edges at a plurality of heat-sealing zones 9 intermittently arranged along the respective side edges so as to form a waist-opening 11 and a pair of leg-openings 12. In the front and rear waist regions 6, 7 as well as in the crotch region

8, the topsheet 2 and the backsheets 3 extend outward beyond a peripheral edge of the absorbent core 4 and are placed upon and joined to each other by means of hot melt adhesive 13 along a peripheral edge of the diaper 1.

[0014] The diaper 1 has elastic members 16, 17 extending along peripheral edges of the waist-opening 11 and the leg-openings 12, respectively. These elastic members 16, 17 are disposed between the topsheet 2 and the backsheets 3 and secured under tension to the inner surface of at least one of these two sheets 2, 3 by means of the adhesive 13 or adhesive provided separately of the adhesive 13.

[0015] The diaper 1 further includes a plurality of auxiliary elastic members 21 (21B, 21C, ...) extending in parallel one to another circumferentially of the diaper 1 across at least one of the front and rear waist regions 6, 7. Each of these auxiliary elastic members 21 presents a stretch stress lower than a stretch stress presented by each of the waist-opening's elastic members 16 and extends across the absorbent core 4 on its outer surface. According to the illustrated embodiment, three elastic members 21B, 21C, 21D extend across the absorbent core 4, between the inner surface of the backsheets 3 and the outer surface of the absorbent core 4, to the transversely opposite side edges of the diaper 1. Assumed that the diaper 1 has the auxiliary elastic members 21 in the front waist region 6 as well as in the rear waist region 7, two different modes of realization will be possible: The corresponding elastic members 21 in the front and rear waist regions 6, 7 extend along the same levels of the diaper 1 so as to be placed upon each other at the side edges of the diaper 1 and to form loops, respectively. On the other hand, the corresponding elastic members 21 in these two waist regions 6, 7 may extend along different levels of the diaper 1 and, therefore, the loops are not formed.

[0016] The portions of the auxiliary elastic members 21 extending outward beyond transversely opposite side edges 23, 23 of the absorbent core 4 are secured to the inner surface of the backsheets 3 and preferably secured to the inner surface of the backsheets 3 only at the transversely opposite side edges of the diaper 1 by means of adhesive 25 and/or by means of the heat-sealing zones 9. The auxiliary elastic members 21 are secured neither to the backsheets 3 nor to the absorbent core 4 in the area defined between the transversely opposite side edges 23, 23 of the absorbent core 4.

[0017] Fig. 2 is a fragmentary sectional view taken along a line II-II in Fig. 1, exemplarily illustrating a manner in which the auxiliary elastic member 21B extending across the absorbent core 4 is secured to the inner surface of the backsheets 3. As will be apparent from Fig. 2, the elastic member 21B uniformly tensioned transversely of the diaper 1 has its opposite ends secured to the inner surface of the backsheets 3 along the respective arrays of the heat-sealing zones 9, respectively, and its portions defined between respective the ends and re-

spective the side edges 23 are joined to the inner surface of the backsheet 3 by means of the hot melt adhesive 25. When the topsheet 2 and the backsheet 3 are joined to each other along the side edges of the diaper 1 by means of the hot melt adhesive 13, the elastic members 21 are also secured to the inner surface of the topsheet 2 by means of the adhesive 13.

[0018] Along the arrays of the heat-sealing zones 9, the topsheet 2 and the backsheet 3 of the front and rear waist regions 6, 7, respectively, are placed one upon another and heated to be heat-sealed one with another under pressure. With the arrangement in which the auxiliary elastic members 21 are secured to the backsheet 3 only along the arrays of the heat-sealing zones 9, stock material for the members 21 is preferably selected so that the members 21 can be heat-sealed with the topsheet 2 as well as with the backsheet 3. An example of suitable stock materials is elastomer made of thermoplastic synthetic resin having a melting point similar to that of the topsheet 2 and the backsheet 3.

[0019] While a thickness of the auxiliary elastic members 21 is not critical so far as these members 21 can effectively function to press the absorbent core 4 from its outer side against a wearer's body, a width thereof is preferably dimensioned in a range of 3 ~ 20 mm. A total stretch stress of the members 21 is preferably in a range of 100 ~ 230 gf with respect to the absorbent core 4 having a Gurley Stiffness Value of 0.5 ~ 2 g. With the members 21 having a width less than 3 mm, these members 21 may cut into tissue paper (not shown), forming the surface of the absorbent core 4 and deteriorate a body fluid diffusing function expected for the tissue paper. While it is possible to use the members 21 having a width of 20 mm or more, an amount of these members 21 to be used will correspondingly increase and, as a result, the cost for stock material will unnecessarily increase.

[0020] With the diaper 1 arranged as has been described above, contraction of the auxiliary elastic members 21 reliably puts the absorbent core 4 tightly against the wearer's body. Since the portions of these auxiliary elastic members 21 extending across the absorbent core 4 are joined neither to the backsheet 3 nor to the absorbent core 4, contraction of these auxiliary elastic members 21 does not cause both the backsheet 3 and the absorbent core 4 to be finely wrinkled. Accordingly, a flat absorbent core may be adopted in this diaper 1 to ensure that the absorbent core 4 can be pressed tightly against the wearer's body without any deformation. Furthermore, the backsheet 3 free from any fine wrinkles can advantageously eliminate the fine wrinkles (gatherers) inevitably formed in the waist regions of the diaper which has been one of the problems by the prior art, for example, the Japanese Patent Publication Gazette (Kokoku) No. Hei7-44945 and thereby can provide a smooth touch.

[0021] Fig. 3 is a view similar to Fig. 2 showing the diaper 1 according to another embodiment of this inven-

tion. In this embodiment of the diaper 1, the topsheet 2 and the backsheet 3 are joined to each other only along the arrays of the heat-sealing zones 9 instead of being bonded together along their side edges by means of the hot melt adhesive 13. The auxiliary elastic members 21B are joined to the inner surface of the backsheet 3 by means of the adhesive 25.

[0022] Fig. 4 is a diagram showing a portion IV encircled by imaginary line in Fig. 1. As shown, the diaper 1 is provided along its side edge with the heat-sealing zones 9 arranged intermittently in a vertical direction and the auxiliary elastic member 21C extends so as to cover a pair of the adjacent heat-sealing zones 9. The member 21C which is relatively wide can be secured to the diaper 1 at two or more heat-sealing zones 9 as shown.

[0023] Fig. 5 is a view similar to Fig. 1 and Fig. 6 is a sectional view taken along a line VI-VI, both showing the diaper 1 according to still another embodiment of the present invention. According to this embodiment, the backsheet 3 comprises liquid-impervious film 5 made of a thermoplastic synthetic resin and nonwoven fabric 26 made of thermoplastic synthetic fibers with which the outer surface of said film 5 is entirely covered. As in the case of the embodiment shown in Fig. 2, the topsheet 2 and the film 5 are joined to each other along the periphery of the diaper 1. The film 5 and the nonwoven fabric 26 are joined to each other along the side edges of the diaper 1 and along the peripheral edge 5 of the waist-opening 11 and the leg-openings 12, respectively, by means of hot melt adhesive 27. Preferably, the film 5 and the nonwoven fabric 26 are joined to each other also in a lower zone of the crotch region 8 by means of the hot melt adhesive 27. The film 5 is bonded to the core 4 in its zone extending in the crotch region 8 by means of hot melt adhesive 28.

[0024] Referring to Figs. 5 and 6, the auxiliary elastic members 21 herein are sandwiched by the film 5 and the nonwoven fabric 26 to extend under tension across the diaper 1 between its opposite side edges. The uppermost one 21A of these auxiliary elastic members 21 indirectly covers the front end 22 of the absorbent core 4 inclusive of its vicinity with interposition of the film 5 so that the upper edge 31 of the member 21A lies above the front end 22 of the absorbent core 4 (See Fig. 6). The member 21A arranged in this manner advantageously tends to prevent the front end 22 of the absorbent core 4 inclusive of its vicinity from being curved outwardly of the diaper 1, i.e., away from the wearer's body as the diaper 1 is put on the wearer's body. The lowermost one 21E of these auxiliary elastic members 21 extends transversely of the diaper 1 across the crotch region 8 which extends below the front waist region 6. With the diaper 1 according to this embodiment, the members 21 comprising the uppermost and lowermost members 21A, 21E function to press the absorbent core 4 tightly against the wearer's body over an area of the absorbent core 4 as large as possible.

[0025] According to the embodiment shown in Fig. 5, the portions of the auxiliary elastic members 21 extending outward beyond the respective side edges of the absorbent core 4 are secured to the outer surface of the film 5 by means of the hot melt adhesive 27. Also when the members 21 are secured to the nonwoven fabric 26 by means of the adhesive 27 or adhesive provided separately of the adhesive 27 instead of being secured to the film 5, the same effect as achieved by bonding the members 21 to the film 5 can be achieved.

[0026] To realize the present invention, the stock material for the topsheet 2 is not limited to a nonwoven fabric and the other stock materials such as a liquid-pervious apertured plastic film may be also used for the topsheet 2. It is possible without departing from the scope of the present invention to bond the absorbent core 4 to the topsheet 2 by means of hot melt adhesive. It is also possible without departing from the scope of this invention to bond the absorbent core 4 to the backsheet 3 in any region other than the crotch region 8. When the present invention is realized in the mode as shown by Fig. 1, it is also possible to adopt an arrangement such that the front end 22 and/or the rear end 24 of the absorbent core 4 inclusive of the vicinity thereof may be directly covered with the auxiliary elastic members 21. Bonding of the respective members one to another may be performed not only by means of suitable adhesive agent such as hot melt adhesive but also by utilizing the other techniques such as heat-sealing and ultrasonic sealing.

[0027] With the disposable pull-on diaper according to the present invention, the backsheet and the liquid-absorbent core are substantially free from being finely wrinkled even when the auxiliary elastic members contract. This is for the reason that the auxiliary elastic members are secured neither to the absorbent core nor to the backsheet over the portions of the auxiliary elastic members extending across the absorbent core. As a result, the auxiliary elastic members improve a fitting of the absorbent core to the wearer's body while the backsheet provides a smooth touch.

Claims

1. A disposable pull-on diaper having a front waist region, a rear waist region and a crotch region therebetween, said diaper comprising a liquid-pervious topsheet, a liquid-impervious backsheet and a liquid-absorbent core disposed between said topsheet and said backsheet, said front and rear waist regions being joined to each other along transversely opposite side edges thereof so as to form a waist-opening and a pair of leg-openings, said waist-opening being provided with a plurality of first elastic members and said leg-openings also being provided with elastic members, respectively, said elastic members extending under tension along pe-

ripheral edges of said waist-opening and leg-openings, wherein a plurality of second elastic members extend across said absorbent core at least in one of said front and rear waist regions between transversely opposite side edges of the waist region, wherein:

said plurality of second elastic members are such that any one of them presents a stretch stress lower than a stretch stress presented by any one of said first elastic members and extend across the core on an outer surface thereof with portions of said second elastic members extending outward beyond the transversely opposite side edges of said absorbent core being secured to said backsheet and other portions thereof extending between said transversely opposite side edges of said absorbent core being bonded neither to said backsheet nor to said absorbent core.

2. The diaper according to Claim 1, wherein said second elastic members are secured to said backsheet only in the vicinity of zones in which said front and rear waist regions are bonded to each other along their respective side edges.
3. The diaper according to Claim 1, wherein said backsheet is made of a thermoplastic synthetic resin film and said second elastic members are secured to the inner surface of said film.
4. The diaper according to Claim 1, wherein said backsheet comprises thermoplastic synthetic resin film and nonwoven fabric bonded to the outer surface of said film so that said second elastic members may be disposed between said film and said nonwoven fabric and secured to the outer surface of said film or the inner surface of said nonwoven fabric.
5. The diaper according to Claim 1, wherein the inner surface of said backsheet is joined to the outer surface of said core.
6. The diaper according to Claim 1, wherein said second elastic members are provided in the form of ribbons each having a width of 3 ~ 20 mm.
7. The diaper according to Claim 1, wherein said absorbent core has front and rear ends lying in said front and rear waist regions, respectively, and said second elastic members cover at least one of said front and rear ends inclusive of its vicinity in a direct or indirect manner.
8. The diaper according to Claim 1, wherein said absorbent core has a Gurley Stiffness Value of 0.5 ~ 2 g and said second elastic members present a total stretch stress of 100 ~ 230 gf.

- 9. The diaper according to Claim 1, wherein said crotch region is provided with a third elastic member extending under tension across said absorbent core in parallel to said second elastic members.

5

10

15

20

25

30

35

40

45

50

55

6

FIG. 1

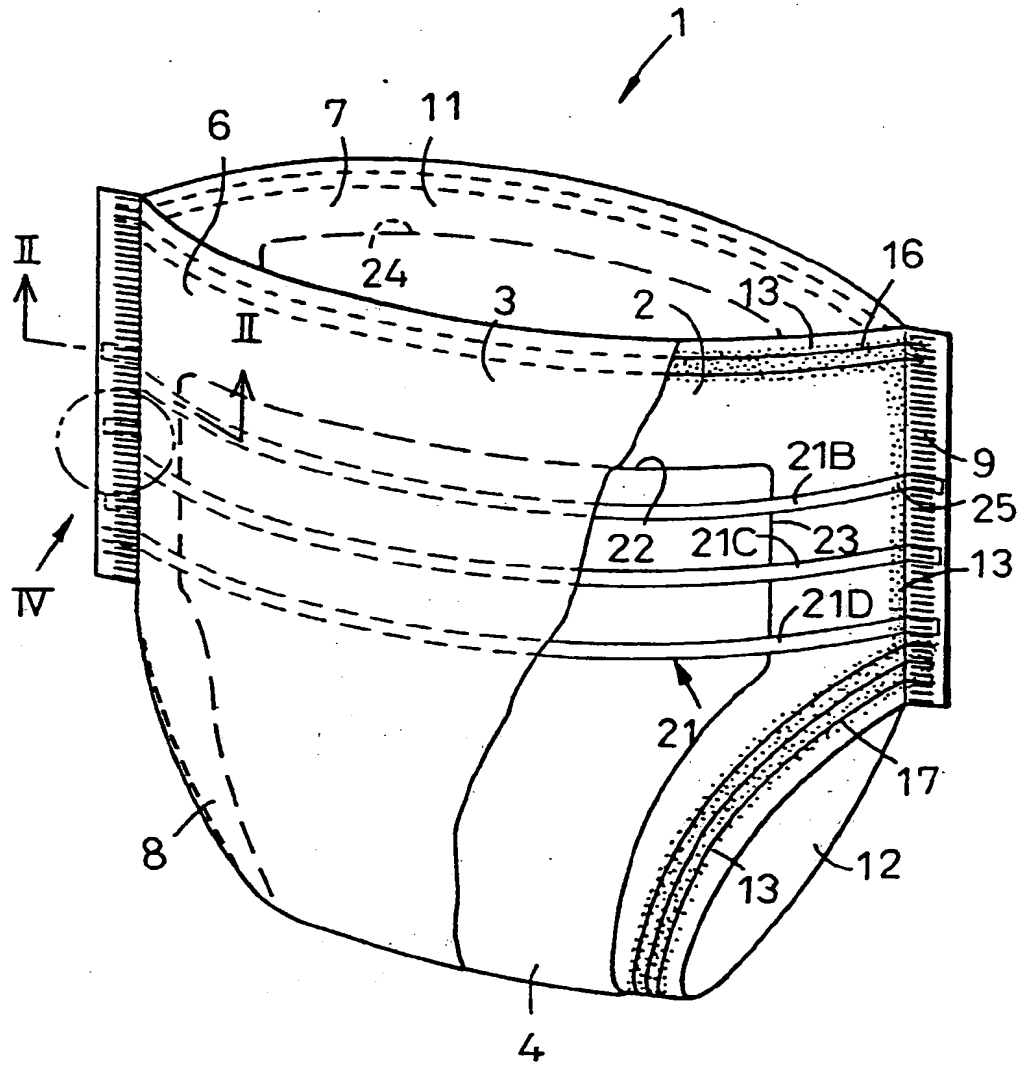


FIG.2

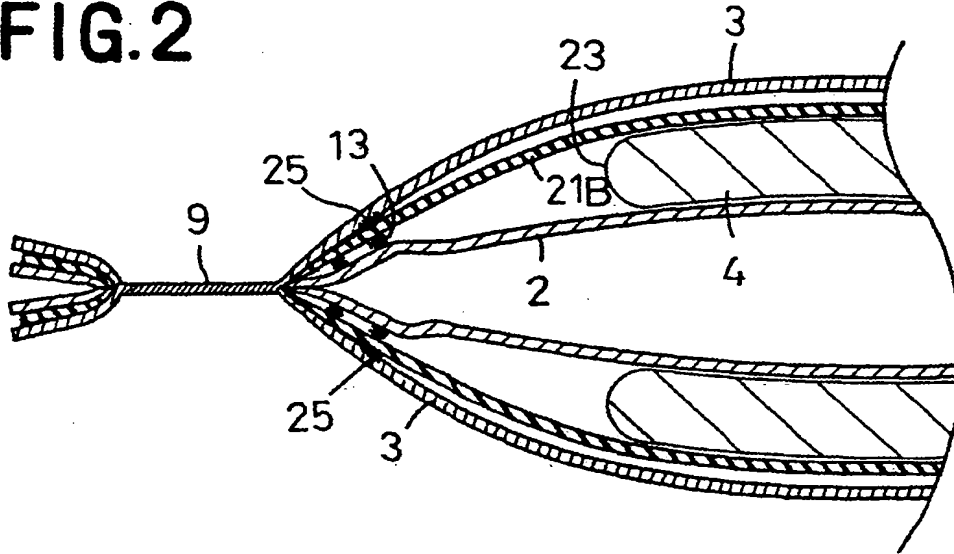


FIG.3

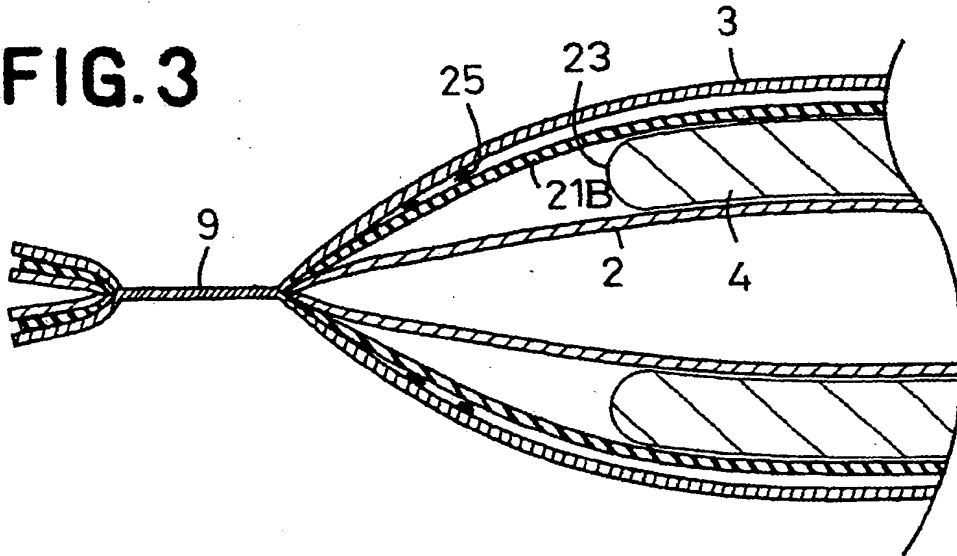


FIG.4

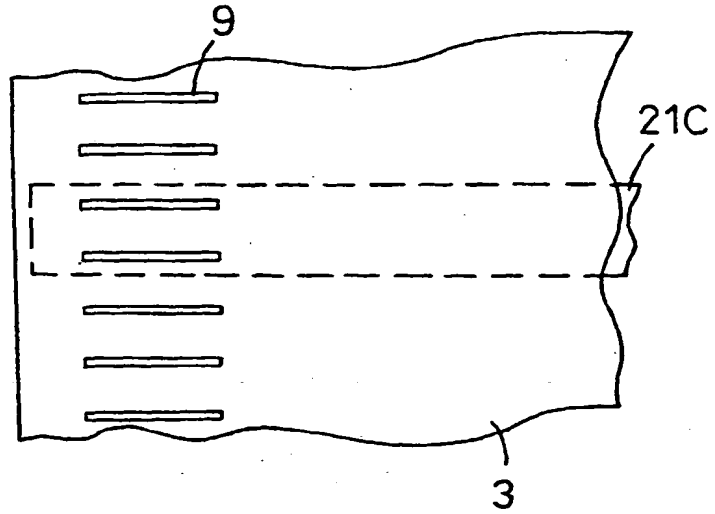
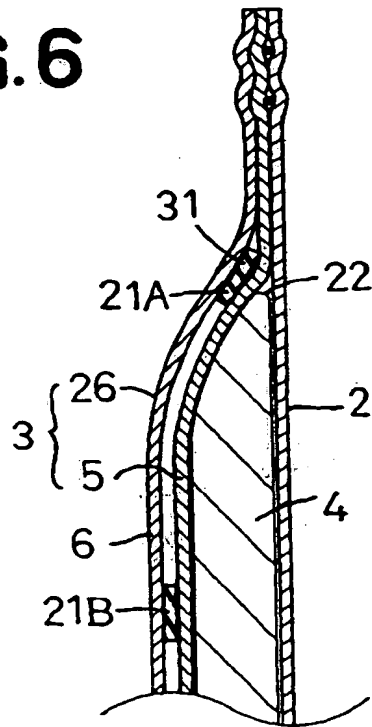


FIG.6



(19)



Europäisches Patentamt
European Patent Office
Office européen des brevets



(11)

EP 0 990 434 A3

(12)

EUROPEAN PATENT APPLICATION

(88) Date of publication A3:
18.04.2001 Bulletin 2001/16

(51) Int Cl.7: **A61F 13/15**

(43) Date of publication A2:
05.04.2000 Bulletin 2000/14

(21) Application number: 99307795.7

(22) Date of filing: 04.10.1999

(84) Designated Contracting States:
**AT BE CH CY DE DK ES FI FR GB GR IE IT LI LU
MC NL PT SE**
Designated Extension States:
AL LT LV MK RO SI

(72) Inventors:
• **Jitoe, Yoshikazu, Technical Center
Mitoyo-gun, Kanagawa-ken 769-1602 (JP)**
• **Shimoe, Nariaki, Technical Center
Mitoyo-gun, Kanagawa-ken 769-1602 (JP)**
• **Kumasaka, Yoshinori, Technical Center
Mitoyo-gun, Kanagawa-ken 769-1602 (JP)**

(30) Priority: 02.10.1998 JP 28170398

(71) Applicant: **UNI-CHARM CORPORATION**
Kawanoe-shi Ehime-ken (JP)

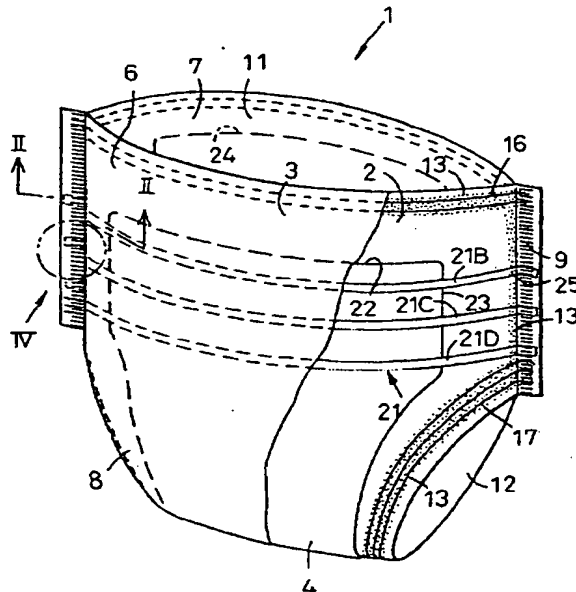
(74) Representative: **Parry, Christopher Stephen
Saunders & Dolleymore,
9 Rickmansworth Road
Watford, Herts. WD18 0JU (GB)**

(54) **Disposable pull-on-diaper**

(57) A disposable pull-on diaper 1 includes a top-sheet 2, a backsheet 3 and an absorbent core 4 disposed therebetween. In any one of front and rear waist regions 6, 7 of the diaper 1, second elastic members 21

are disposed between the core 4 and the backsheet 3 to extend under tension circumferentially of the waist region and secured to the inner surface of the backsheet 3 only at their portions extending outward beyond transversely opposite side edges 23, 23.

FIG. 1



EP 0 990 434 A3



European Patent Office

EUROPEAN SEARCH REPORT

Application Number
EP 99 30 7795

DOCUMENTS CONSIDERED TO BE RELEVANT			
Category	Citation of document with indication, where appropriate, of relevant passages	Relevant to claim	CLASSIFICATION OF THE APPLICATION (Int.Cl.7)
D, A	PATENT ABSTRACTS OF JAPAN vol. 1996, no. 01, 31 January 1996 (1996-01-31) & JP 07 236650 A (TOYO EIZAI KK), 12 September 1995 (1995-09-12) * abstract *	1	A61F13/15
A	US 5 735 839 A (KAWAGUCHI, KURAHASHI, TOYODA) 7 April 1998 (1998-04-07) * column 3, line 41 - column 6, line 31; figures *	1,3-9	
A	EP 0 641 552 A (KAO CORPORATION) 8 March 1995 (1995-03-08) * column 7, line 24-31 * * column 8, line 46-55; figures 1,2 *	1,2,5-8	
A	EP 0 761 193 A (UNI-CHARM CORPORATION) 12 March 1997 (1997-03-12) * abstract; figure 1 *	1,5-8	
P, X	EP 0 875 226 A (UNI-CHARM CORPORATION) 4 November 1998 (1998-11-04) * abstract; figures 1-4 *	1,2,5-8	TECHNICAL FIELDS SEARCHED (Int.Cl.7) A61F
P, A	EP 0 873 738 A (KAO CORPORATION) 28 October 1998 (1998-10-28) * column 3, line 34-58; figures *	1,3,6-8	
A	WO 97 22318 A (KIMBERLY-CLARK CORPORATION) 26 June 1997 (1997-06-26) * abstract * * page 13, line 22-32 * * page 15, line 35 - page 16, line 16; figures *	1	
--- -/--			
The present search report has been drawn up for all claims			
Place of search THE HAGUE		Date of completion of the search 23 February 2001	Examiner Seabra, L
CATEGORY OF CITED DOCUMENTS		T : theory or principle underlying the invention E : earlier patent document, but published on, or after the filing date D : document cited in the application L : document cited for other reasons & : member of the same patent family, corresponding document	
X : particularly relevant if taken alone Y : particularly relevant if combined with another document of the same category A : technological background O : non-written disclosure P : intermediate document			

EPO FORM 1503/03.02 (P/04C01)



European Patent Office

EUROPEAN SEARCH REPORT

Application Number
EP 99 30 7795

DOCUMENTS CONSIDERED TO BE RELEVANT			
Category	Citation of document with indication, where appropriate, of relevant passages	Relevant to claim	CLASSIFICATION OF THE APPLICATION (Int.Cl.7)
A	US 4 692 163 A (WIDLUNG, TERNSTROM) 8 September 1987 (1987-09-08) * column 6, line 28-35; figure 8 *	1	
A	US 5 447 508 A (NUMANO, SASAKI) 5 September 1995 (1995-09-05) * the whole document *	1	
			TECHNICAL FIELDS SEARCHED (Int.Cl.7)
The present search report has been drawn up for all claims			
Place of search THE HAGUE		Date of completion of the search 23 February 2001	Examiner Seabra, L
CATEGORY OF CITED DOCUMENTS X : particularly relevant if taken alone Y : particularly relevant if combined with another document of the same category A : technological background O : non-written disclosure P : intermediate document		T : theory or principle underlying the invention E : earlier patent document, but published on, or after the filing date D : document cited in the application L : document cited for other reasons & : member of the same patent family, corresponding document	

EPC FORM 1503 03.02 (p.04/01)

ANNEX TO THE EUROPEAN SEARCH REPORT
ON EUROPEAN PATENT APPLICATION NO.

EP 99 30 7795

This annex lists the patent family members relating to the patent documents cited in the above-mentioned European search report. The members are as contained in the European Patent Office EDP file on
The European Patent Office is in no way liable for these particulars which are merely given for the purpose of information.

23-02-2001

Patent document cited in search report	Publication date	Patent family member(s)	Publication date
JP 07236650 A	12-09-1995	JP 2602408 B	23-04-1997
US 5735839 A	07-04-1998	JP 8112308 A	07-05-1996
		JP 8112309 A	07-05-1996
		CN 1137233 A	04-12-1996
		DE 69510913 D	26-08-1999
		DE 69510913 T	11-11-1999
		EP 0734242 A	02-10-1996
		EP 0901782 A	17-03-1999
		WO 9611657 A	25-04-1996
EP 0641552 A	08-03-1995	JP 7116191 A	09-05-1995
		CN 1103775 A	21-06-1995
		DE 69422102 D	20-01-2000
		DE 69422102 T	27-04-2000
		JP 2000279448 A	10-10-2000
		SG 59943 A	22-02-1999
EP 0761193 A	12-03-1997	JP 9038134 A	10-02-1997
		AU 714939 B	13-01-2000
		AU 6073196 A	06-02-1997
		CA 2181955 A	03-02-1997
		KR 158550 B	15-12-1998
		US 5749865 A	12-05-1998
EP 0875226 A	04-11-1998	JP 10295725 A	10-11-1998
		AU 6367198 A	05-11-1998
		BR 9801971 A	09-11-1999
		CA 2235830 A	30-10-1998
		CN 1198321 A	11-11-1998
		SG 67499 A	21-09-1999
EP 0873738 A	28-10-1998	CN 1196919 A	28-10-1998
		JP 11004853 A	12-01-1999
WO 9722318 A	26-06-1997	US 5846232 A	08-12-1998
		AU 715677 B	10-02-2000
		AU 1079397 A	14-07-1997
		BR 9612044 A	09-02-1999
		CA 2238444 A	26-06-1997
		CN 1211173 A	17-03-1999
		CZ 9801935 A	13-01-1999
		EP 0869757 A	14-10-1998
		JP 2000502268 T	29-02-2000
		PL 327411 A	07-12-1998
		SK 85898 A	11-01-1999

EPO FORM P/469

For more details about this annex : see Official Journal of the European Patent Office, No. 12/82

ANNEX TO THE EUROPEAN SEARCH REPORT
ON EUROPEAN PATENT APPLICATION NO.

EP 99 30 7795

This annex lists the patent family members relating to the patent documents cited in the above-mentioned European search report. The members are as contained in the European Patent Office EDP file on. The European Patent Office is in no way liable for these particulars which are merely given for the purpose of information.

23-02-2001

Patent document cited in search report	Publication date	Patent family member(s)	Publication date
WO 9722318 A		TR 9801157 T	21-09-1998
US 4692163 A	08-09-1987	SE 450454 B	29-06-1987
		AT 53757 T	15-06-1990
		AU 589922 B	26-10-1989
		AU 5037485 A	05-06-1986
		CA 1261102 A	26-09-1989
		DE 3577394 D	07-06-1990
		DK 551385 A, B,	31-05-1986
		EP 0183668 A	04-06-1986
		ES 549412 D	16-07-1986
		ES 8608821 A	16-12-1986
		FI 854386 A, B,	31-05-1986
		GR 852844 A	25-02-1986
		JP 2721874 B	04-03-1998
		JP 61132601 A	20-06-1986
		NO 854815 A, B,	02-06-1986
		SE 8406071 A	31-05-1986
US 5447508 A	05-09-1995	JP 3012425 B	21-02-2000
		JP 6277251 A	04-10-1994
		AU 675276 B	30-01-1997
		AU 5795294 A	06-10-1994
		CA 2119659 A, C	01-10-1994
		CN 2193155 U	29-03-1995
		DE 59407363 D	14-01-1999
		EP 0617939 A	05-10-1994
		ES 2127303 T	16-04-1999
		GB 2276529 A, B	05-10-1994
		KR 138495 Y	01-04-1999

EPO FORM P0496

For more details about this annex : see Official Journal of the European Patent Office, No. 12/82